

IN-STUDIO

VISTA PER TABELLA DI FORATURA

Scheda	Loc X	Loc Y
A	12.98	80.53
B		204.57
C		19.81
D		145
E		10
F	47.77	17.50
G	56.42	783.73
H	56.47	928.37
J	65.17	499.78
K	80.46	954
L	93.17	918.78
M	104.62	35.22
N	200.64	954
P	238.17	35.22
R	360.64	954
T	383.17	954
U	528.17	57.24
V	568.17	57.24
W	633.17	954
Y	673.17	954
AA	818.17	35.22
AB	840.71	954
AC	963.17	35.22
AD	1000.71	918.78
AE	1096.72	954
AF	1108.17	499.78
AG	1120.68	928.37
AH	1136.17	783.73

VISTA PER TABELLA DI FORATURA

VISTA PER TABELLA DI FORATURA

Scheda	Loc X	Loc Y
A	12.98	80.53
B		204.57
C		19.81
D		145
E		10
F	47.77	17.50
G	56.42	783.73
H	56.47	928.37
J	65.17	499.78
K	80.46	954
L	93.17	918.78
M	104.62	35.22
N	200.64	954
P	238.17	35.22
R	360.64	954
T	383.17	954
U	528.17	57.24
V	568.17	57.24
W	633.17	954
Y	673.17	954
AA	818.17	35.22
AB	840.71	954
AC	963.17	35.22
AD	1000.71	918.78
AE	1096.72	954
AF	1108.17	499.78
AG	1120.68	928.37
AH	1136.17	783.73

PROGETTAZIONE
DESIGN
STAMPA 3D

IN - STUDIO

SIAMO UNO STUDIO SPECIALIZZATO IN PROGETTAZIONE, PROTOTIPAZIONE E DESIGN.

CI RIVOLGIAMO A TUTTE LE REALTÀ, PRIVATI E/O AZIENDE CHE NECESSITANO DI UN SUPPORTO TECNICO PER LA REALIZZAZIONE RAPIDA E LOW COST DI UN' IDEA.

I VANTAGGI DELLA PROTOTIPAZIONE RAPIDA SONO MOLTEPLICI: LA VELOCITÀ DI REALIZZAZIONE, ABBATTIMENTO DEI COSTI, ELIMINAZIONE DI TUTTO IL PROCESSO DI PROGETTAZIONE E COSTRUZIONE DELLE ATTRAZZATURE (COME STAMPI, MASCHERE DI TAGLIO, DIME DI POSIZIONAMENTO ECC...)

L'OGGETTO AVRÀ CARATTERISTICHE ESTETICHE E FUNZIONALI IDENTICHE AL CAMPIONE ORIGINALE OPPURE AL MODELLO DIGITALE APPPOSITAMENTE REALIZZATO.

POSSIAMO BASARE L'INIZIO LAVORO DA TAVOLE 2D SU SUPPORTO CARTACEO, SCANSIONARE DIGITALMENTE IL CAMPIONE OPPURE PROGETTARE TOTALMENTE L'OGGETTO

DI SEGUITO E' RIPORTATO IL PROCESSO INTEGRALE DALLA FASE INIZIALE DELLO STUDIO DI STILE FINO ALLA REALIZZAZIONE DEL PROTOIPO MEDIANTE STAMPA 3D

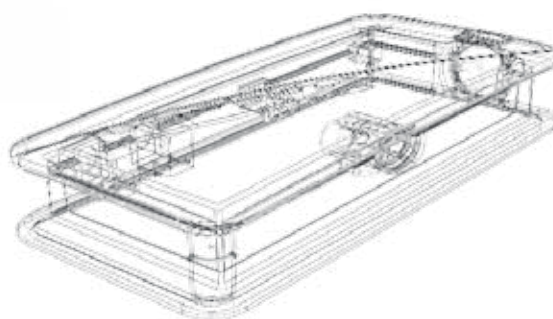
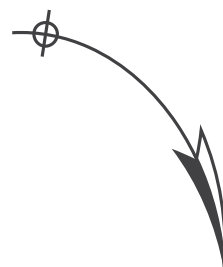


IN - STUDIO

WWW.INSTUDIOPROJECT.IT



STUDIO DI STILE



PROGETTO CAD
PARAMETRICO



RENDER FOTO REALISTICO
DI PRESENTAZIONE



PROTOTIPO STAMPATO CON
TECNOLOGIA 3D PRINTING





STAMPI

DISEGNO 2D

SVILUPPO LAMIERE
E SUPERFICI

DESIGN

PROGETTAZIONE

MODELLAZIONE

PROTOTIPAZIONE

SCANSIONI 3D

REVERSE ENGINEERING

VISTA PER TABELLA DI FORATURA

Scheda	Loc X	Loc Y
A1	12.98	80.53
B1	21.65	204.57
C1	30.38	349.81
D1	39.08	494.45
E1	47.77	639.09
F1	56.42	783.73
G1	65.17	928.37
H1	73.87	1072.99
I1	82.64	1217.63
J1	91.42	1362.27
K1	100.17	1506.91
L1	108.92	1651.55
M1	117.67	1796.19
N1	126.42	1940.83
O1	135.17	2085.47
P1	143.92	2230.11
Q1	152.67	2374.75
R1	161.42	2519.39
S1	170.17	2664.03
T1	178.92	2808.67
U1	187.67	2953.31
V1	196.42	3097.95
W1	205.17	3242.59
X1	213.92	3387.23
Y1	222.67	3531.87
AA1	231.42	3676.51
AB1	240.17	3821.15
AC1	248.92	3965.79
AD1	257.67	4110.43
AE1	266.42	4255.07
AF1	275.17	4399.71
AG1	283.92	4544.35
AH1	292.67	4688.99
AI1	301.42	4833.63
AJ1	310.17	4978.27
AK1	318.92	5122.91
AL1	327.67	5267.55
AM1	336.42	5412.19
AN1	345.17	5556.83
AO1	353.92	5701.47
AP1	362.67	5846.11
AQ1	371.42	5990.75
AR1	380.17	6135.39
AS1	388.92	6280.03
AT1	397.67	6424.67
AU1	406.42	6569.31
AV1	415.17	6713.95
AW1	423.92	6858.59
AX1	432.67	7003.23
AY1	441.42	7147.87
AZ1	450.17	7292.51
BA1	458.92	7437.15
BB1	467.67	7581.79
BC1	476.42	7726.43
BD1	485.17	7871.07
BE1	493.92	8015.71
BF1	502.67	8160.35
BG1	511.42	8304.99
BH1	520.17	8449.63
BI1	528.92	8594.27
BJ1	537.67	8738.91
BK1	546.42	8883.55
BL1	555.17	9028.19
BM1	563.92	9172.83
BN1	572.67	9317.47
BO1	581.42	9462.11
BP1	590.17	9606.75
BQ1	598.92	9751.39
BR1	607.67	9896.03
BS1	616.42	10040.67
BT1	625.17	10185.31
BU1	633.92	10329.95
BV1	642.67	10474.59
BW1	651.42	10619.23
BX1	660.17	10763.87
BY1	668.92	10908.51
BZ1	677.67	11053.15
CA1	686.42	11197.79
CB1	695.17	11342.43
CC1	703.92	11487.07
CD1	712.67	11631.71
CE1	721.42	11776.35
CF1	730.17	11920.99
CG1	738.92	12065.63
CH1	747.67	12210.27
CI1	756.42	12354.91
CK1	765.17	12499.55
CL1	773.92	12644.19
CM1	782.67	12788.83
CN1	791.42	12933.47
CO1	800.17	13078.11
CP1	808.92	13222.75
CQ1	817.67	13367.39
CR1	826.42	13512.03
CS1	835.17	13656.67
CT1	843.92	13801.31
CU1	852.67	13945.95
CV1	861.42	14090.59
CW1	870.17	14235.23
CX1	878.92	14379.87
CY1	887.67	14524.51
CZ1	896.42	14669.15
DA1	905.17	14813.79
DB1	913.92	14958.43
DC1	922.67	15103.07
DD1	931.42	15247.71
DE1	940.17	15392.35
DF1	948.92	15536.99
DG1	957.67	15681.63
DH1	966.42	15826.27
DI1	975.17	15970.91
DJ1	983.92	16115.55
DK1	992.67	16260.19
DL1	1001.42	16404.83
DM1	1010.17	16549.47
DN1	1018.92	16694.11
DO1	1027.67	16838.75
DP1	1036.42	16983.39
DQ1	1045.17	17128.03
DR1	1053.92	17272.67
DS1	1062.67	17417.31
DT1	1071.42	17561.95
DU1	1080.17	17706.59
DV1	1088.92	17851.23
DW1	1097.67	17995.87
DX1	1106.42	18140.51
DY1	1115.17	18285.15
DZ1	1123.92	18429.79
EA1	1132.67	18574.43
EB1	1141.42	18719.07
EC1	1150.17	18863.71
ED1	1158.92	19008.35
EE1	1167.67	19152.99
EF1	1176.42	19297.63
EG1	1185.17	19442.27
EH1	1193.92	19586.91
EI1	1202.67	19731.55
EJ1	1211.42	19876.19
EK1	1220.17	20020.83
EL1	1228.92	20165.47
EM1	1237.67	20310.11
EN1	1246.42	20454.75
EO1	1255.17	20599.39
EP1	1263.92	20744.03
EQ1	1272.67	20888.67
ER1	1281.42	21033.31
ES1	1290.17	21177.95
ET1	1298.92	21322.59
EU1	1307.67	21467.23
EV1	1316.42	21611.87
EW1	1325.17	21756.51
EX1	1333.92	21901.15
EY1	1342.67	22045.79
EZ1	1351.42	22190.43
FA1	1360.17	22335.07
FB1	1368.92	22479.71
FC1	1377.67	22624.35
FD1	1386.42	22768.99
FE1	1395.17	22913.63
FF1	1403.92	23058.27
FG1	1412.67	23202.91
FH1	1421.42	23347.55
FI1	1430.17	23492.19
FJ1	1438.92	23636.83
FK1	1447.67	23781.47
FL1	1456.42	23926.11
FM1	1465.17	24070.75
FN1	1473.92	24215.39
FO1	1482.67	24360.03
FP1	1491.42	24504.67
FQ1	1500.17	24649.31
FR1	1508.92	24793.95
FS1	1517.67	24938.59
FT1	1526.42	25083.23
FU1	1535.17	25227.87
FV1	1543.92	25372.51
FW1	1552.67	25517.15
FX1	1561.42	25661.79
FY1	1570.17	25806.43
FZ1	1578.92	25951.07
GA1	1587.67	26095.71
GB1	1596.42	26240.35
GC1	1605.17	26384.99
GD1	1613.92	26529.63
GE1	1622.67	26674.27
GF1	1631.42	26818.91
GH1	1640.17	26963.55
GI1	1648.92	27108.19
GJ1	1657.67	27252.83
GK1	1666.42	27397.47
GL1	1675.17	27542.11
GM1	1683.92	27686.75
GN1	1692.67	27831.39
GO1	1701.42	27976.03
GP1	1710.17	28120.67
GQ1	1718.92	28265.31
GR1	1727.67	28409.95
GS1	1736.42	28554.59
GT1	1745.17	28699.23
GU1	1753.92	28843.87
GV1	1762.67	28988.51
GW1	1771.42	29133.15
GX1	1780.17	29277.79
GY1	1788.92	29422.43
GZ1	1797.67	29567.07
HA1	1806.42	29711.71
HB1	1815.17	29856.35
HC1	1823.92	29999.99
HD1	1832.67	30143.63
HE1	1841.42	30287.27
HF1	1850.17	30430.91
HG1	1858.92	30574.55
HJ1	1867.67	30718.19
HK1	1876.42	30861.83
HL1	1885.17	31005.47
HM1	1893.92	31149.11
HN1	1902.67	31292.75
HO1	1911.42	31436.39
HP1	1920.17	31580.03
HQ1	1928.92	31723.67
HR1	1937.67	31867.31
HS1	1946.42	32010.95
HT1	1955.17	32154.59
HU1	1963.92	32298.23
HV1	1972.67	32441.87
HW1	1981.42	32585.51
HX1	1990.17	32729.15
HY1	1998.92	32872.79
HZ1	2007.67	33016.43
IA1	2016.42	33160.07
IB1	2025.17	33303.71
IC1	2033.92	33447.35
ID1	2042.67	33590.99
IE1	2051.42	33734.63
IF1	2060.17	33878.27
IG1	2068.92	34021.91
IJ1	2077.67	34165.55
IK1	2086.42	34309.19
IL1	2095.17	34452.83
IM1	2103.92	34596.47
IN1	2112.67	34740.11
IO1	2121.42	34883.75
IP1	2130.17	35027.39
IQ1	2138.92	35171.03
IR1	2147.67	35314.67
IS1	2156.42	35458.31
IT1	2165.17	35601.95
IU1	2173.92	35745.59
IV1	2182.67	35889.23
IW1	2191.42	36032.87
IX1	2200.17	36176.51
IY1	2208.92	36320.15
IZ1	2217.67	36463.79
JA1	2226.42	36607.43
JB1	2235.17	36751.07
JC1	2243.92	36894.71
JD1	2252.67	37038.35
JE1	2261.42	37181.99
JF1	2270.17	37325.63
JG1	2278.92	37469.27
JH1	2287.67	37612.91
JI1	2296.42	37756.55
JK1	2305.17	37900.19
JL1	2313.92	38043.83
JM1	2322.67	38187.47
JN1	2331.42	38331.11
JO1	2340.17	38474.75
JP1	2348.92	38618.39
JQ1	2357.67	38762.03
JR1	2366.42	38905.67
JS1	2375.17	39049.31
JT1	2383.92	39192.95
JU1	2392.67	39336.59
JV1	2401.42	39480.23
JW1	2410.17	39623.87
JX1	2418.92	39767.51
JY1	2427.67	39911.15
JZ1	2436.42	40054.79
KA1	2445.17	40198.43
KB1	2453.92	40342.07
KC1	2462.67	40485.71
KD1	2471.42	40629.35
KE1	2480.17	40772.99
KF1	2488.92	40916.63
KG1	2497.67	41060.27
KH1	2506.42	41203.91
KI1	2515.17	41347.55
KJ1	2523.92	41491.19
KK1	2532.67	41634.83
KL1	2541.42	41778.47
KM1	2550.17	41922.11
KN1	2558.92	42065.75
KO1	2567.67	42209.39
KP1	2576.42	42353.03
KQ1	2585.17	42496.67
KR1	2593.92	42640.31
KS1	2602.67	42783.95
KT1	2611.42	42927.59
KU1	2620.17	43071.23
KV1	2628.92	43214.87
KW1	2637.67	43358.51
KX1	2646.42	43502.15
KY1	2655.17	43645.79
KZ1	2663.92	43789.43
LA1	2672.67	43933.07
LB1	2681.42	44076.71
LC1	2690.17	44220.35
LD1	2698.92	44363.99
LE1	2707.67	44507.63
LF1	2716.42	44651.27
LG1	2725.17	44794.91
LH1	2733.92	44938.55
LJ1	2742.67	45082.19
LK1	2751.42	45225.83
LL1	2760.17	45369.47
LM1	2768.92	45513.11
LN1	2777.67	45656.75
LO1	2786.42	45800.39
LP1	2795.17	45944.03
LQ1	2803.92	46087.67
LR1	2812.67	46231.31
LS1	2821.42	46374.95
LT1	2830.17	46518.59
LU1	2838.92	46662.23
LV1	2847.67	46805.87
LW1	2856.42	46949.51
LX1	2865.17	47093.15
LY1	2873.92	47236.79
LZ1	2882.67	47380.43
MA1	2891.42	47524.07
MB1	2900.17	47667.71
MC1	2908.92	47811.35
MD1	2917.67	47954.99
ME1	2926.42	48098.63
MF1	2935.17	48242.27
MG1	2943.92	48385.91
MH1	2952.67	48529.55
MJ1	2961	